



Piston Pressure Switch AF30 – Type HDS:

- Snap action micro switch
- 250V / 6A
- Change over contact SPDT
- Piston with PTFE-sealing
- Adjustment range 10...320bar higher on request
- Max. system pressure 350bar higher on request
- Preset ex works possible
- Easy adjustment via adjustment knob
- Rugged design
- E-connection DIN EN 175301-803A
- 360° turnable fluid connection

Order code

HDS - A - BBB - C - D - E

A	Output	
	1 = SPDT	
BBB	Pressure adjustment range	
	030 = 10...30bar	200 = 20...200bar
	080 = 10...80bar	250 = 20...250bar
	120 = 10...120bar	320 = 30...320bar
	160 = 10...160bar	
C	O-ring for PTFE-sealing	
	K = NBR	-20...+80°C
	T = low temperatur-NBR	-40...+80°C
	E = EPDM	-40...+100°C
	V = Viton	0...+100°C

D	Fluid connection	
	2 = female G1/4" turnable	
	5 = vertical flange acc. to DIN ISO 16873	
	7 = male G1/4" turnable with sealing	
	8 = male M10x1 turnable with sealing	
	F = male 1/4NPT turnable	
	G = male 7/16-20 UNF turnable	
	P = male R1/4" turnable	
	U = female Rc1/4" turnable	
E	Electrical connection	
	1 = plug DIN EN 175301-803A	

Options

xxx bar	set point adjustment increasing or decreasing, factory preset
011000	socket DIN EN 175301-803A
011001	socket DIN EN 175301-803A with 2LED, 24V

Order sample: HDS-1-250-V-5-1

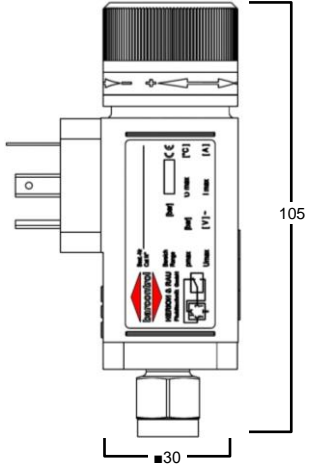
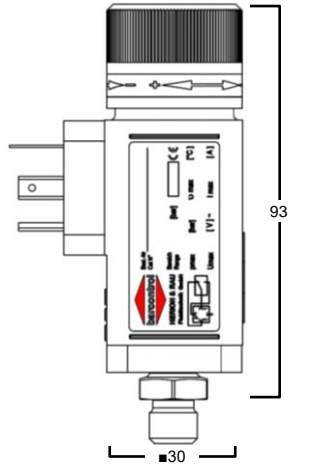
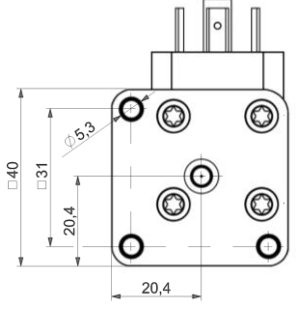
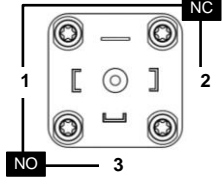
Pressure Switch HDS
Output: SPDT
Adjustment range: 20...250bar
O-ring for PTFE-sealing: Viton
Fluid connection: vertical flange acc. to DIN ISO 16873
E-connection: DIN EN 175301-803A

Technical data

Construction:	snap action micro switch AF30
Operating fluid:	selflubricating fluids (e.g. hydraulic oil), neutral fluids/gases
Mechanical installation:	over fluid connection
Mounting position:	any
Max. system pressure:	350bar
Repeatability:	max. $\pm 2\%$ of full scale at room temperature
Hysteresis*:	guide value: 5bar + 5...10% of set point, not adjustable
Life cycles, mech:	$> 5 \times 10^6$
Max. switching frequency:	$\sim 1\text{Hz}$
Temperature range*:	$-40 \dots +100^\circ\text{C}$ as a function of used elastomere
Vibration resistance:	10g (10 ... 2000Hz) sinus acc. to ISO 16750-3
Shock resistance:	30g, 14ms shaped sinus acc. to DIN 40046, T7
Switching element:	snap action micro switch with self cleaning pins
CE-mark:	acc. to EU-standards: 2014/35/EU (LVD); 2014/68/EU (PED); 2011/65/EU (RoHS)
Protection class:	IP65 acc. to DIN EN 60529
Weight:	$\sim 0,35\text{kg}$

* please contact the technical support for alternative or special requirements regarding hysteresis and temperature
Subject to technical alternations!

Electrical connection data – dimensions

	Dimensions G1/4 female turnable	Dimensions: G1/4 male turnable	Dimensions: Vertical flange
			
	DIN EN 175301-803A		
			
	250VAC		24VDC
ohmic	6A		4A
inductive	6A		4A